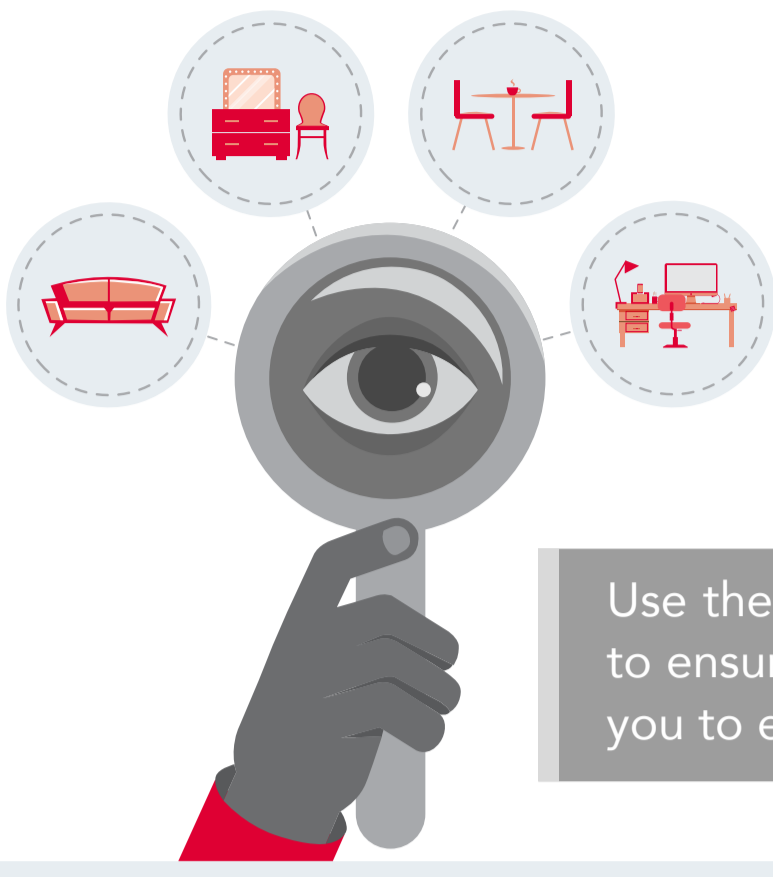


How to Look for Quality Furniture



WHAT DOES "QUALITY" FURNITURE ACTUALLY LOOK LIKE?

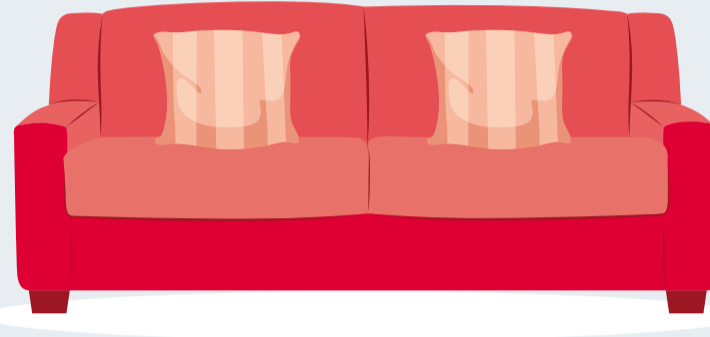
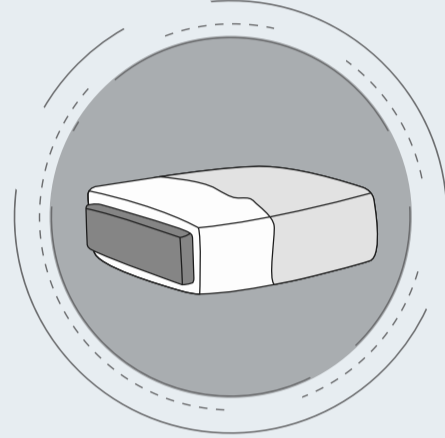


Although it's easy to spot obvious flaws like a stain or a rip, evaluating furniture for quality involves a much closer and more nuanced inspection. To get a complete picture of a piece of furniture and how long it should last, you must assess elements such as structure and composition as well as materials and aesthetics.

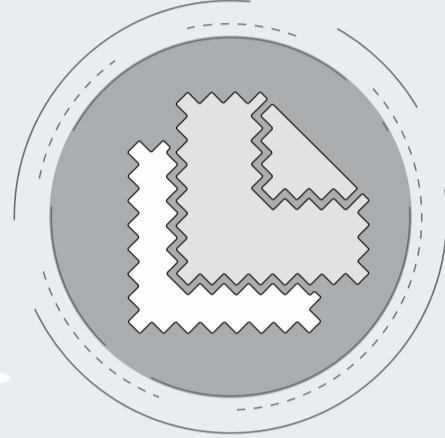
Use these tips to inspect and assess used furniture pieces to ensure they are built to quality standards that will allow you to enjoy them for years to come.

SOFA

TIP #1



TIP #2



Find Comfort That Lasts

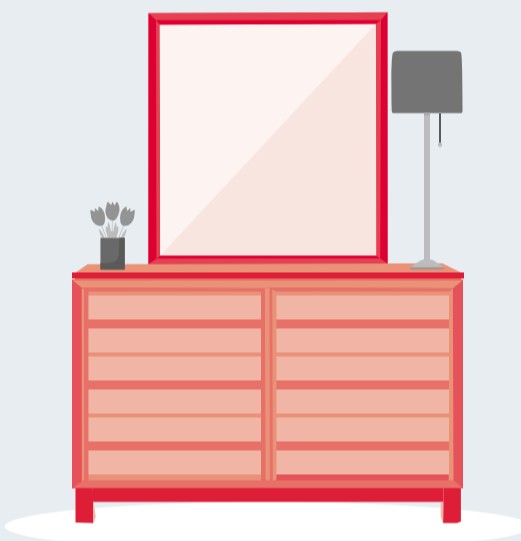
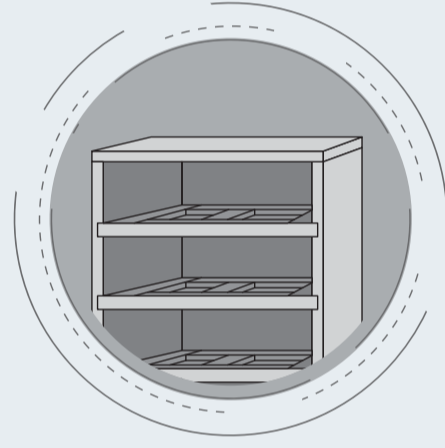
If possible, check the composition of sofa cushions by unzipping the backs. High-quality cushions contain foam and are wrapped in cotton or Dacron with an additional muslin protective inner cover. These extra layers add both comfort and durability to the cushions.

Consider Practical Colors

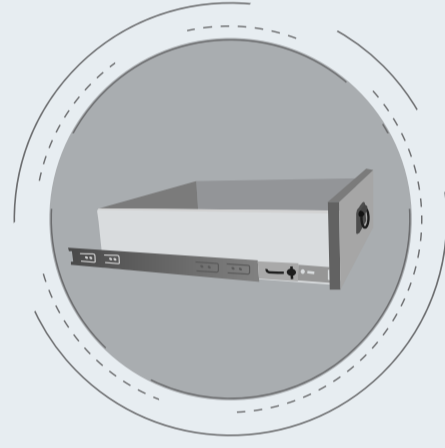
Most shoppers know to look for long-lasting sofa fabrics, including cotton weaves, microfiber, & acrylic, but the color of that fabric is equally important. Camel and auburn-colored pieces mask dirt and stains to help keep a sofa looking new, no matter what disasters life throws its way.

DRESSER

TIP #1



TIP #2



Dust Panels Provide Extra Protection

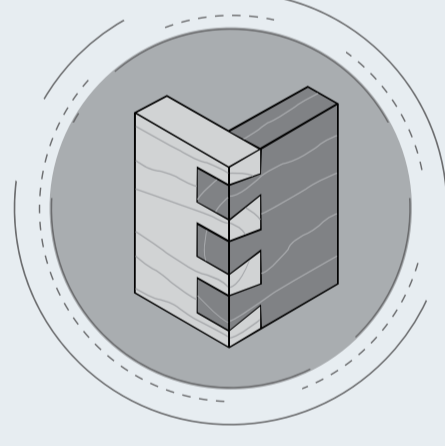
Known as dust panels, the thin sheets of wood placed between rows of drawers do more than help with organization. They add to the structural integrity of the dresser.

Glides Offer Smooth Operation

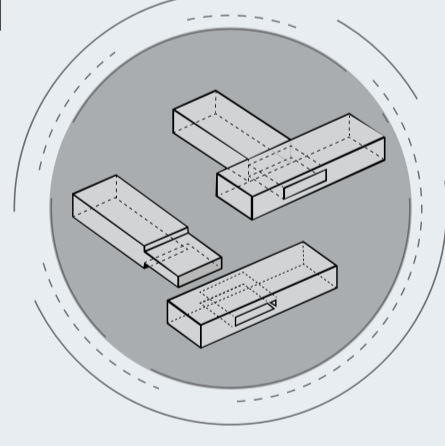
Full-metal glides, or the rails along the sides of drawers for opening and closing, offer the longest-lasting and smoothest operation for drawers. The highest quality glides have stops at the end to prevent drawers from falling out, even when they are opened with force.

DINING TABLE

TIP #1



TIP #2



Good Joints Matter

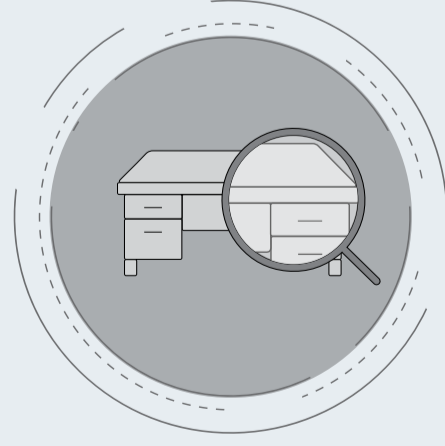
The stability of a dining table rests on its legs — literally. Take note of the way the legs attach to the table to ensure they will maintain a sturdy fit for years to come. Interlocking dovetail joints and single-key mortise and tenon joints are the most secure, durable options.

Look for Solid Wood

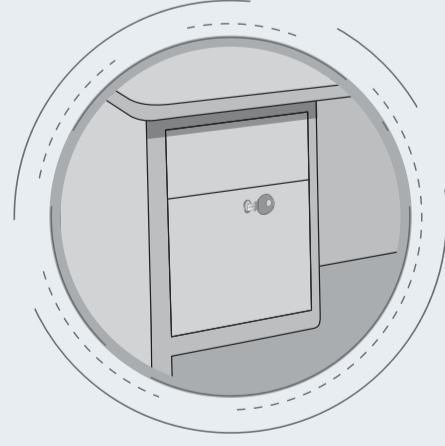
No matter what type of furniture it is, solid wood is the best option when it comes to strength that lasts. If solid wood is out of your budget, look for pieces with 9+ layers of plywood or composite laminate. These modern options offer strong and reliable alternatives.

DESK

TIP #1



TIP #2



Check for Stability

A basic stability test is important for all types of furniture. Inspect the way a piece sits on the ground, and make sure all four corners touch evenly without rocking. Lift the piece at each corner, noting any squeaks or twists, and press down on each side to check for wobbles.

Keep Important Documents Under Lock and Key

Even for a home office, privacy matters. A good desk should include at least one drawer that locks. The highest quality options include unique keys for each desk made and for each lock on the desk if there is more than one.